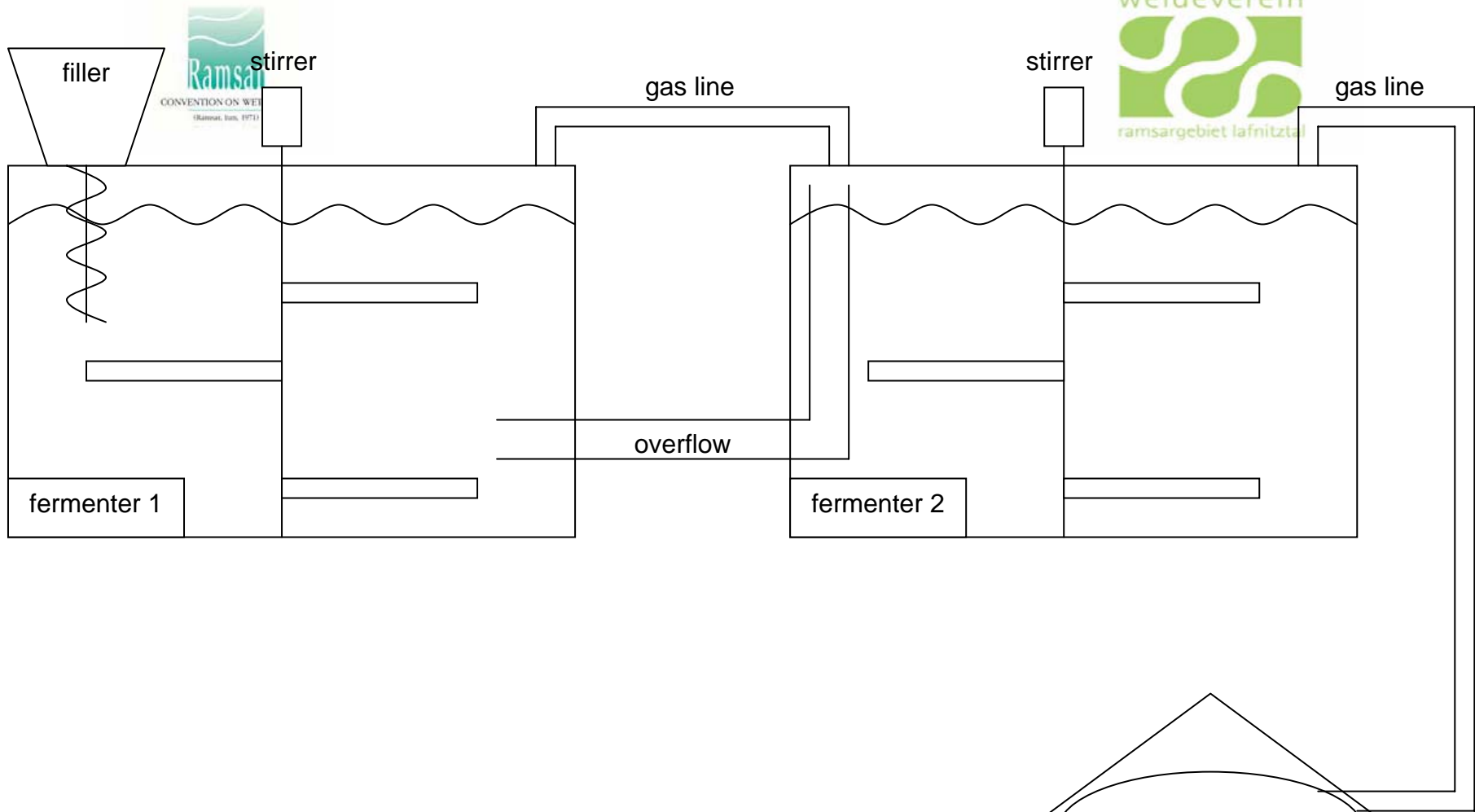




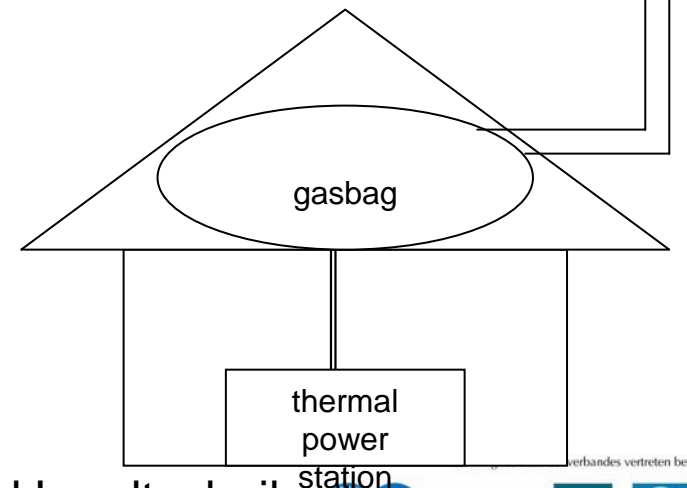
# Welcome

to the presentation

# Biogas and Grassland



schematic representation  
of a biogas plant





# Conservation of cultivated landscape



# Biogas and keeping animals



# The biogas plant as a local fertilizer factory



# Effects on the „Lafnitztal“

# **Gras for the cows Corn to feed the Bulls ready for the market Liquid manure and dung for the biogas plant**





## Comparison of biogas plants

### Example 100 kW

- Saving 16.000 l heating oil / year
- Processing dung from 60.000 hens and chicks (1.000 t)
- A big part of the substrate comes from the own farm

### Example 500 kW

- Substrate have to be bought in addition
- Very dependent from the actual market value
- Long way of transportation

# The future is the processing of dung und liquid manure!









# Ökostrom Ringhofer GmbH

Königsberg 27  
2842 Thomasberg

biogas plant 100 kW









# Biogas Reisenbauer GmbH

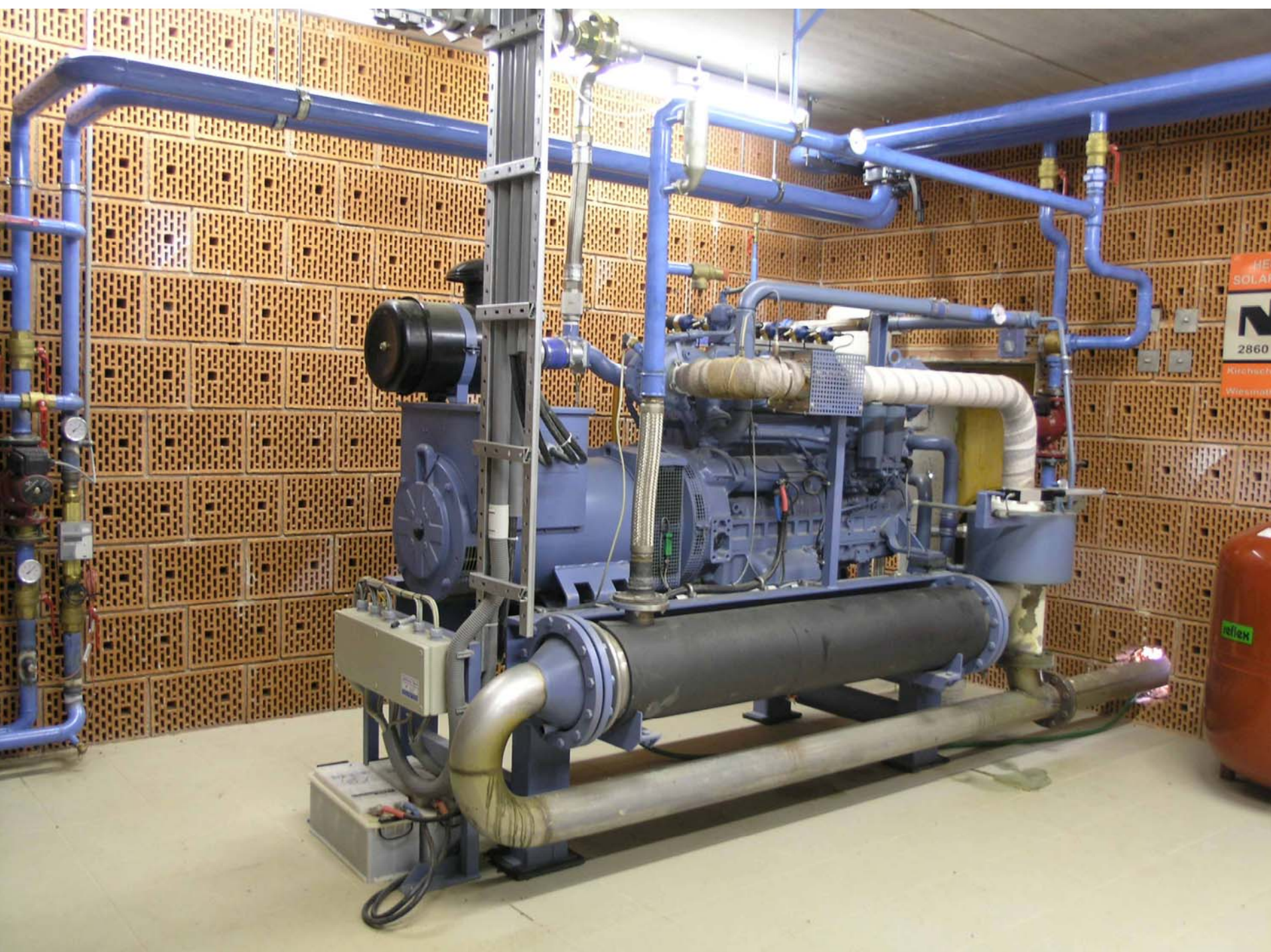
Zethoferweg 11  
2851 Krumbach

biogas plant 100 kW

processing dung of 60.000 hens and  
chicks (1.000 t)







HE  
St. A  
2860  
Kreisch  
Wiesmo

reflex



# RJH Biogas GmbH in Lanzenkirchen, biogas plant 250 kW

processing dung of 40.000 hens,  
55 cows and 60 bulls













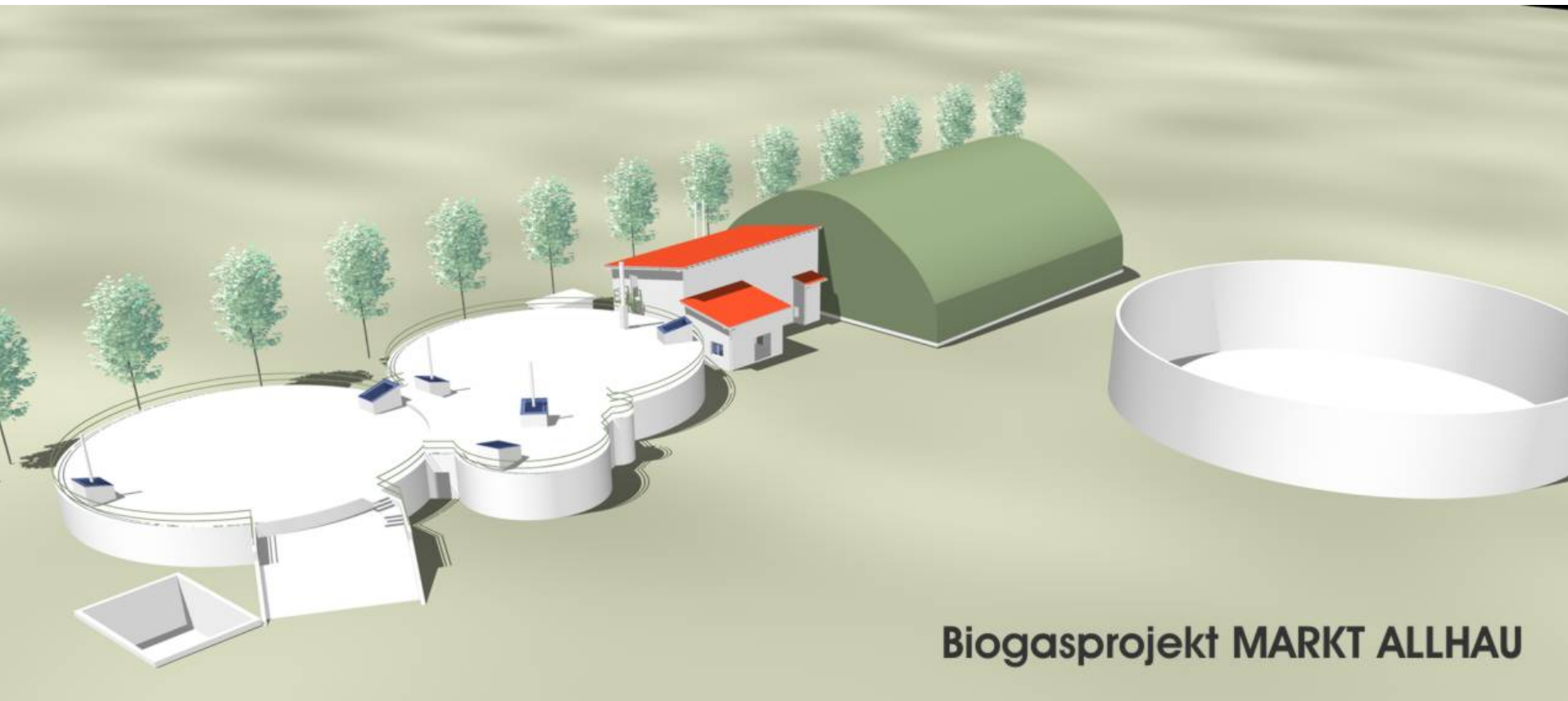




# Biogasproject Markt Allhau 250 kWh

## Organization chart:

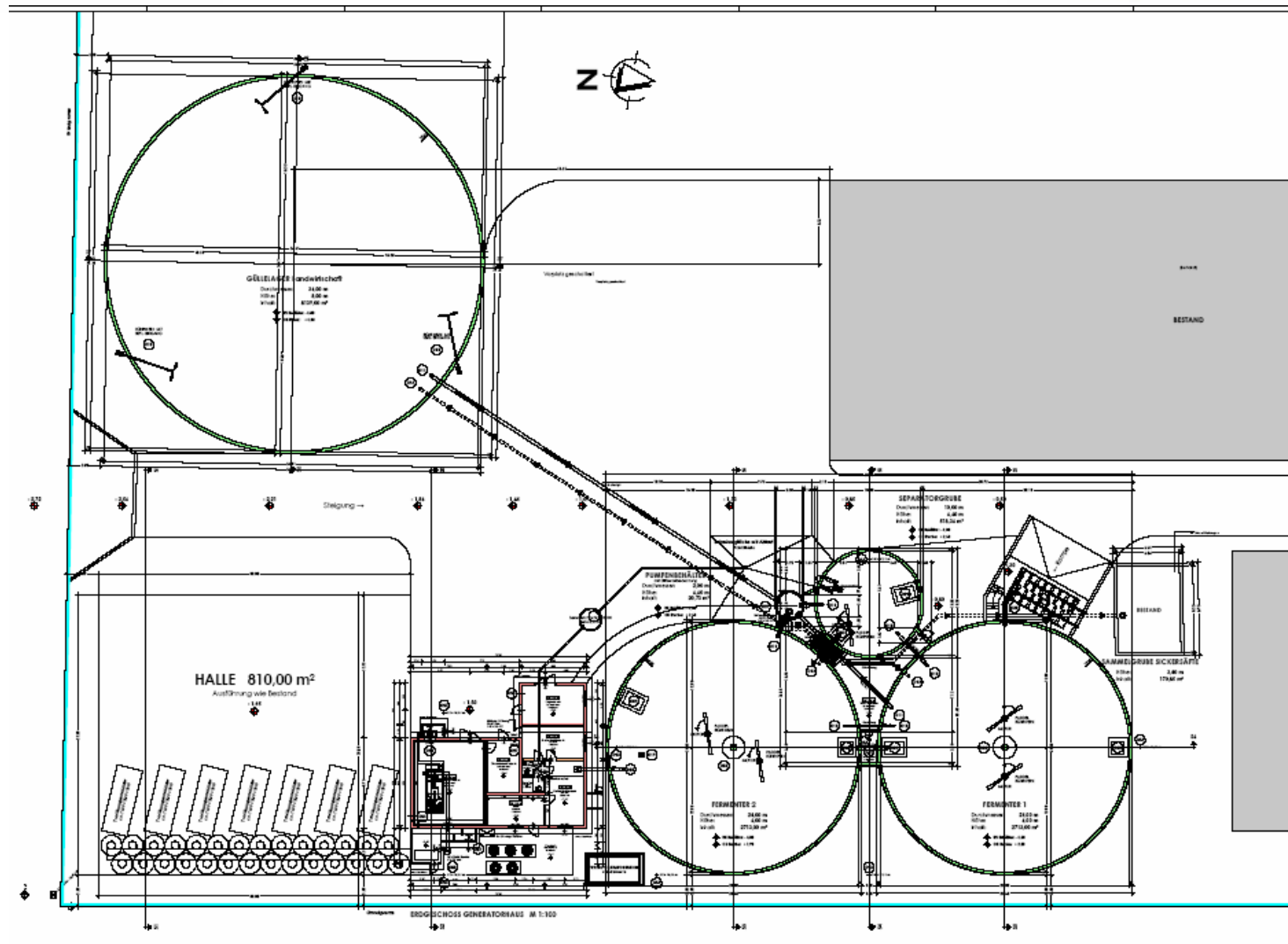
- construction of a 250 kW biogas plant
- processing of dung and liquid manure
  
- stable for 600 cattles
- expansion to 1200 cattles



## Biogasprojekt MARKT ALLHAU



# Thank you for your attention!





# Chances and risks

# Projektplanungs-, Beratungs- und Entwicklungs GmbH

- project-planning
- know-how-transfer from existing plants
- input-output-calculation
- calculation of profitability
- cooperation-planning
- calculation of the financial key figures
- technical planning and processing
- tendering and support at the construction
- cost- and accounting control
- support at the starting up
- preparation of the financing documents
- coaching from planning until the start up
- further coaching at the assets management, optimization of the input and process monitoring





# Corn gets more and more expensive

